

# RVP ROTARY VANE OIL and DIESEL PUMP



## INSTRUCTION MANUAL

### Introduction

Thank you for purchasing a Macnaught RVP Rotary vane Oil and Diesel pump.

The RVP has been designed to reliably dispense various types of lubricating oils, diesel fuel and kerosene.

**NOTE: This pump is not suitable for petrol.**

### Important Information

**PLEASE READ THIS SAFETY INFORMATION CAREFULLY BEFORE USE.**

Read and retain this instruction manual to assist you in the operation and maintenance of this product.

'Cautions' are listed throughout this manual to advise of actions that may cause damage to your equipment.

### Product Description

The RVP rotary pump is designed to pump diesel fuel and mineral based engine/gear oils up to SAE90 viscosity dispensed from 60 to 205 litre drums or tanks up to 0.9m deep.

### Product Features

- \* Precision, pressure die cast body for leak free operation.
- \* Suction Tube.
- \* Light weight but strong.
- \* Approximately 20 litres/minute pumping diesel.
- \* Sliding 2" BSP bung adaptor.
- \* Rotary action, pumps both ways.
- \* Model PVRH complete with 1.8m (6ft) hose, nozzle and nozzle holder.

Optional VA Fuel Filter kit available (order VA-01), recommended for diesel fuel.



### CAUTION

Chemicals, solvents, or water will cause premature failure of seals, o-rings and other components.



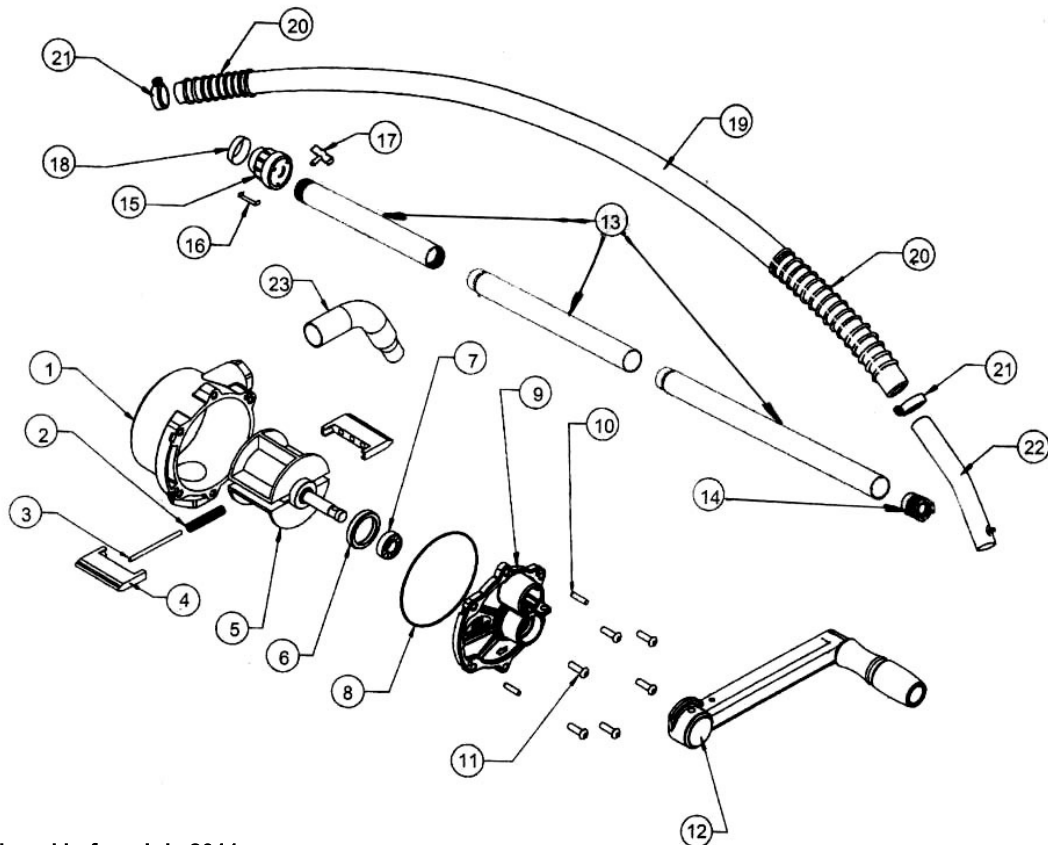
### WARNING

Precautions are necessary to minimise the build up of static electricity which could cause a spark and create an explosion.

### Suction Tube Assembly

Apply suitable thread sealant (eg. Teflon tape) to all male threads on suction tube only.

## Spare Part Diagram



**Note:**  
Pumps produced before July 2011  
Order GM51s for ITEMS 13 to 18

## Spare Part Listing

		Order for replacement		
Item	No. off	Part or set	Kit. Ref	Description
		RVP-1K (Kit A)		Seal kit
1	1	new pump req'd		Pump body
2	1		A	Spring
3	1		A	Pin
4	2		A	Vane
5	1	new pump req'd		Rotor
6	1		A	Seal
7	1		A	Bearing
8	1		A	Body O'ring (BS045)
9	1			Cover plate
10	1			Pin
11	5			Screw
12	1	RB220s		Handle assembly
13	1	ST005As		Suction tube assembly
14	1	AG54s		Footvalve set
15	1			Bung adapter
16	1	GR34s		Plate
17	1			Bung adapter screw
18	1		A	Dust cover
19	1			Hose
20	2	AA92s		Hose spring
21	2			Hose clamp
22	1			Outlet nozzle
23	1		A	Pump outlet tube



## SPECIFICATIONS

<b>Flow Rate:</b>	<b>Up to 20 l/min</b>
<b>Maximum Viscosity:</b>	<b>SAE 90 at 20°C</b>
<b>Maximum Suction Head:</b>	<b>1.2m (4')</b>
<b>Maximum Discharge:</b>	<b>2m (7')</b>
<b>Wetted Components:</b>	<b>aluminium, steel, zinc, and nitrile rubber</b>



**Macnaught Pty Limited**  
ABN 66 000 075 785

41-49 Henderson Street  
Turlella NSW 2206 Sydney Australia  
Postal Address PO Box 90  
Arncliffe NSW 2206 Sydney Australia

**T:** +61 2 9587 0401  
**F:** +61 2 9587 7773  
**W:** [www.macnaught.com.au](http://www.macnaught.com.au)

**Note:**

This product should be disposed of according to all applicable local and national government environment regulations and guidelines.



**For Warranty Terms and Conditions see [macnaught.com.au](http://macnaught.com.au)**  
**For a list of Australian Service Centres see [macnaught.com.au](http://macnaught.com.au)**