

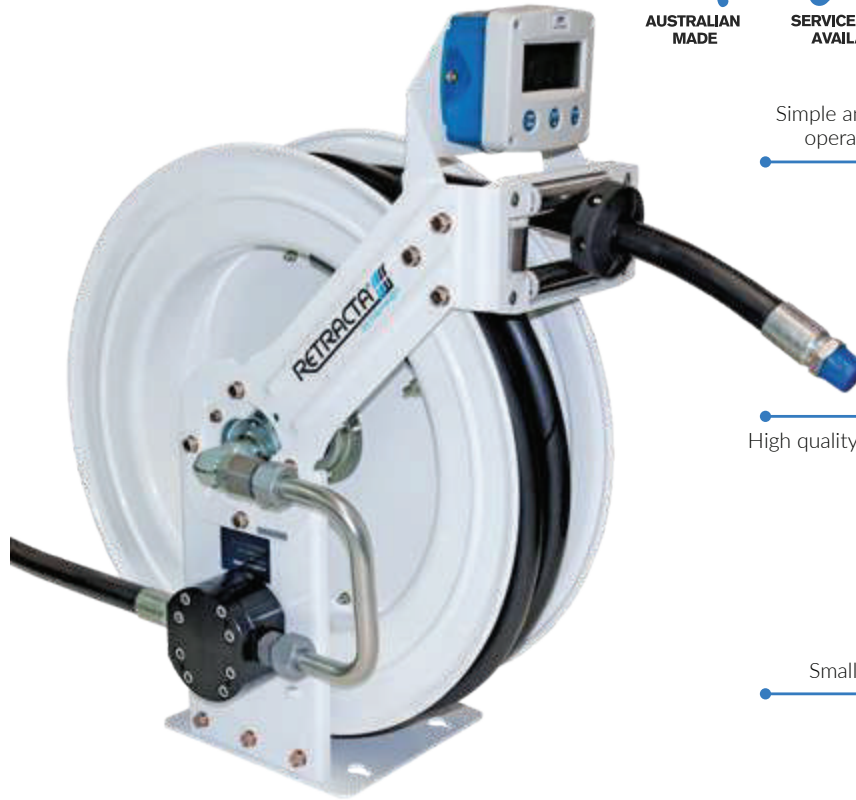
F SERIES METERED



Durable heavy duty construction

Easy maintenance

Integrated meter



Simple and easy to operate display

High quality hose and fitting

Small footprint

Features & Benefits

Durable heavy duty construction

- Stainless Steel shaft suitable for mine service vehicle mounts and harsh operating conditions.

Easy maintenance

- Featuring simple maintenance anodised aluminium meter body.

Integrated meter

- Meter unit is protected by integration behind reel frame.

Simple and easy to operate display

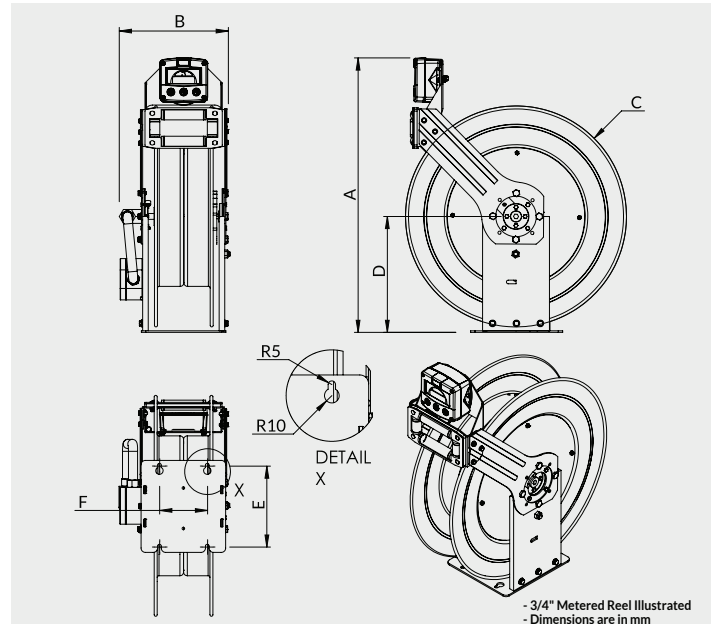
- Clear digit display, simple programming and easy operation with robust powder coated steel register mount.

High quality hose and fitting

- Capable of handling multiple fluids and tough conditions.

Small footprint

- Suitable for service vehicle and narrow footprint requirements.



Nominal Size	A	B	C	D	E	F	G	H	Min Bend Radius
1/2"	690	187	Ø515	280	216	130	R4.8	R10	140
3/4"	745	296	Ø600	315	220	130	R5	R10	190

F Series Metered						Swivel			Hose			Meter						
Model	Frame	Nominal Size	Nominal Size Hose Capacity	Fluid Type	WP	Shaft Material	O'ring Material	Housing Material	Inlet	Outlet	ID	Supplied Length	Outlet	Flow Range	Accuracy	Repeatability	Seal Material	Body Material
FHXO1215-02	Metered Twin Ped HD	1/2"	15m/50ft	Oil	1250 psi	Stainless Steel	Viton	Zinc coated Brass	1/2" BSPF	1/2" BSPF	1/2"	15m/50ft	1/2"	2-30lpm (0.5-8gal/min)	0.5%	0.03%	Viton	Aluminium
FHXO1915-02	Metered Twin Ped HD	3/4"	15m/50ft	Oil	1250 psi	Stainless Steel	Viton	Zinc coated Brass	3/4" BSPF	3/4" BSPF	3/4"	15m/50ft	3/4"	3-80 lpm (0.8-21gal/min)	0.5%	0.03%	Viton	Aluminium

F SERIES CRADLE METERED



Durable heavy duty construction

Easy maintenance

Small footprint



Integrated meter

Simple and easy to operate display

High quality hose and fitting



FLEXIHOSE™ PREMIUM AIR HOSE FH1015

The new FLEXIHOSE™ lies flat wherever you use it. It features an innovative hybrid polymer material that has no memory.



Features & Benefits

Durable heavy duty construction

- Stainless Steel shaft suitable for mine service vehicle mounts and harsh operating conditions.

Easy maintenance

- Featuring simple maintenance anodised aluminium meter body.

Integrated meter

- Metering unit fitted to reel with all required connection.

Simple and easy to operate display

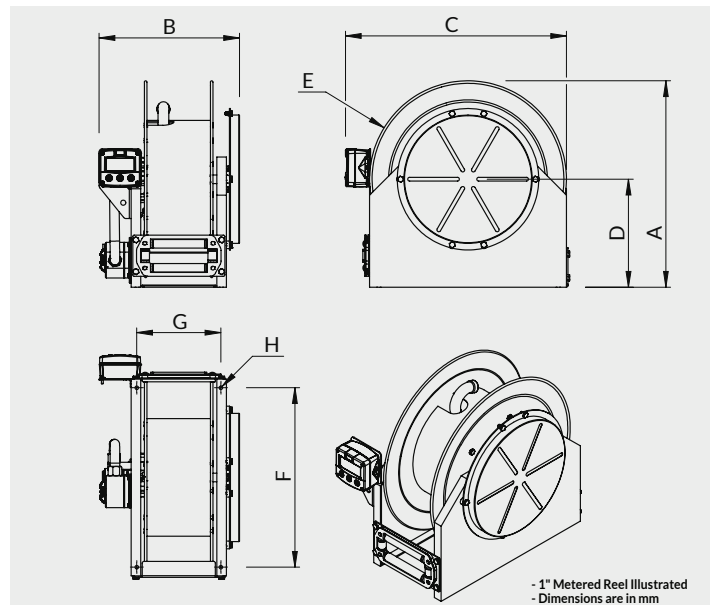
- Clear digit display, simple programming and easy operation with robust powder coated steel register mount.

High quality hose and fitting

- Capable of handling multiple fluids and tough conditions.

Small footprint

- Suitable for service vehicle and narrow footprint requirements.



- 1" Metered Reel Illustrated
- Dimensions are in mm

Nominal Size	A	B	C	D	E	F	G	H	Min Bend Radius
1	650	442	696	340	Ø620	565	265	Ø11x4	180
1 1/2"	728	488	811	370	Ø715	660	350	Ø14x6	130

F Series Metered Cradle				Swivel				Hose			Meter							
Model	Frame	Nominal Size	Nominal Size Hose Capacity	Fluid Type	WP	Shaft Material	O'ring Material	Housing Material	Inlet	Outlet	ID	Supplied Length	Outlet	Flow Range	Accuracy	Repeatability	Seal Material	Body Material
FCXD2515-02	Metered Cradle	1"	15m/50ft	Diesel	200 psi	Stainless Steel	Viton	Zinc coated Brass	1" BSPF	1" BSPF	1"	15m/50ft	1"	6-120 lpm (1.5-32gal/min)	0.5%	0.03%	Viton	Aluminium
FCXD3815-02	Metered Cradle	1 1/2"	15m/50ft	Diesel	200 psi	Stainless Steel	Viton	Zinc coated Brass	1 1/2" NPTF	1 1/2" NPTF	1 1/2"	15m/50ft	1 1/2"	10-250 lpm (2.5-66gal/min)	0.5%	0.03%	Viton	Aluminium

All hose connections are NPT unless otherwise stated.

For more information visit macnaughtusa.com