

# C11 GEAR OIL PUMP INSTRUCTION MANUAL



## Introduction

Thank you for purchasing either a Macnaught model C11 Gear Oil Pump.

Model C11 is supplied complete with hose assembly and nozzle. Optional CF Filter is available for use with ATF or Hydraulic fluids

Please read and retain this instruction sheet to assist you in the maintenance of this quality product.

## IMPORTANT

Before operation ensure that manual non-drip nozzle is open to prevent pressure build up or hose damage.

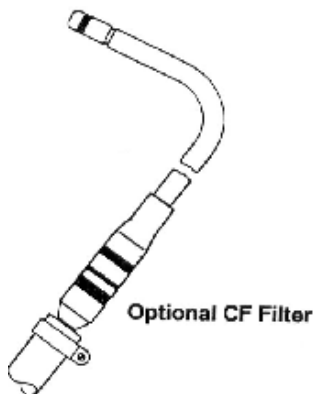
## FEATURES

- \* C11 Fits 60 & 205 Litre Drums
- \* Suitable for oils up to SAE 140
- \* Delivers approximately 75ml / stroke
- \* Optional CF strainer available

## DESCRIPTION

The C11 pumps are designed specifically for pumping heavier grade gear oils (to SAE 140). Both models deliver approximately 75mls per stroke.

An optional (CF) strainer is available for pumping transmission fluids and hydraulic oils.

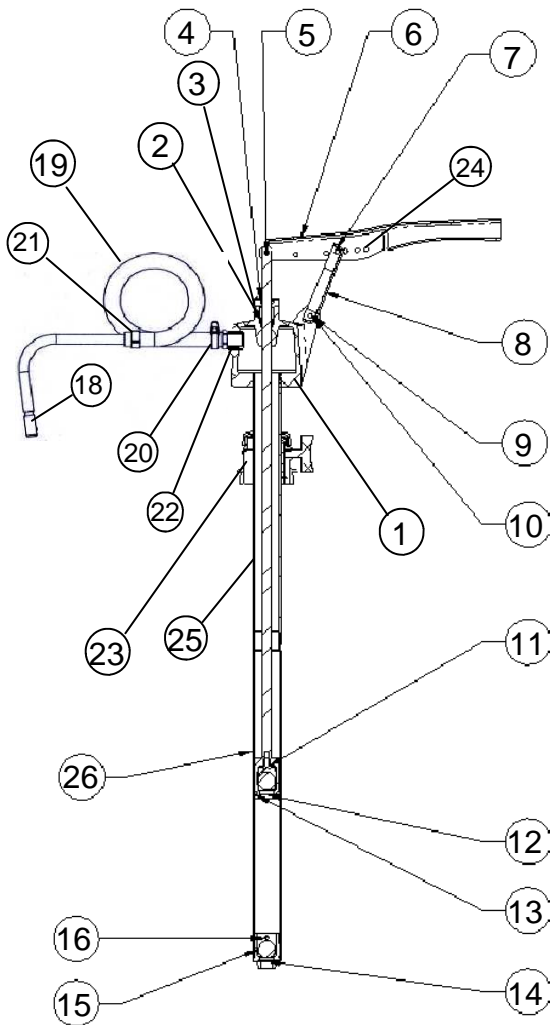


## TROUBLE SHOOTING

TROUBLE	CAUSE	REMEDY
Hard to pump	a) Gland nut is screwed down too tightly.	a) Adjust gland nut
	b) Bent piston rod	b) Replace piston rod and piston assembly
Pump fails to prime	a) Footvalve ball is not seating properly.	a) Remove the footvalve assembly from the pump and clean.
	b) Piston valve ball is not seating or the piston "o'ring" is damaged.	b) Clean piston assembly and replace the piston "o'ring" if required.

# PARTS DIAGRAM

# PARTS LIST - C11



Order for replacement				
Item no	Part or Set	Kit Ref	No off	Description
	C11-1K (Kit A)			
1	n/a (new pump req'd)		1	Pump body C11
2		A	1	Gland seal - Teflon
3		A	1	Gland nut
4		A	1	O'ring (BS110V)
5	n/a		1	Piston rod
6			1	Pump handle
7	AA7s incl N255	A	2	Pivot pin
8		A	1	Handle link
9		A	1	Ratchet plate
10			1	Hose hanger pivot
11		A	1	Screw - slotted
12	n/a		1	Piston
13		A	1	O'ring (BS212V)
14		A	1	Footvalve
15		A	2	Steel ball - 3/4"
16		A	1	Pin
17		A	2	Ratchet plate (not shown)
18			1	Outlet nozzle assy
19	AG88s		1	Hose
20			1	Hose clamp
21			1	"O" Clip
22			1	1/2" Hose tail
23	GR34s		1	Bung adapter set
24			2	Rivet
25	ST006As		1	Suction tube
26			1	Lower Suction Tube



**Macnaught Pty Limited**

ABN 66 000 075 785

41-49 Henderson Street  
 Turrella NSW 2205 Sydney Australia  
 Postal Address PO Box 90  
 Amcliffe NSW 2205 Sydney Australia

T: +61 2 9567 0401

F: +61 2 9597 7773

W: [www.macnaught.com.au](http://www.macnaught.com.au)

**For Warranty Terms and Conditions see [macnaught.com.au](http://macnaught.com.au)  
 For a list of Australian Service Centres see [macnaught.com.au](http://macnaught.com.au)**